



**SPIERINGS**

**MOBILE CRANES**

**Make: SPIERINGS**

**Type: SK2400-AT7-50m**

**LM1**

**Crane specification (Jib length 50 m)**

Serial Number	Strength / stability : as per EN 13001 Stability : as per ISO 4305 Classification : as per ISO 4301-2:A4	Max. load	Max. radius with max. load	Max. capacity	Max. jib length
Year of construction		<b>9,0 tonne</b>	<b>16,5 m</b>	<b>149 tm</b>	<b>50 m</b>

Max. speed	Jib horizontal / 30° luffed	<table border="1"> <tr> <td data-bbox="1102 22 1155 156"></td> <td data-bbox="1102 156 1155 300">m/min</td> <td data-bbox="1102 300 1155 421">kg</td> <td data-bbox="1102 421 1155 562">0 - 70 m/min</td> </tr> <tr> <td></td> <td>20</td> <td>9000</td> <td></td> </tr> <tr> <td></td> <td>30</td> <td>4500</td> <td></td> </tr> <tr> <td></td> <td>50</td> <td>2250</td> <td></td> </tr> <tr> <td></td> <td>75</td> <td>0</td> <td></td> </tr> </table>		m/min	kg	0 - 70 m/min		20	9000			30	4500			50	2250			75	0		<p>All motions with hydraulic proportional controls.</p> <p>Luffing the jib 30° can be controlled from crane cab or by remote control.</p> <p>Counterweight Crane : 23000 kg.</p> <p>Continuous slewing of the crane (360°) with the outriggers out and support pads down.</p> <p>Crane can be driven in its erected position under special conditions (refer user guide).</p> <p>The crane should be folded in at wind force 10 (Bf) (24 m/sec) or when not in use for a longer period.</p>	<p>Rated lifting capacity is net capacity.</p> <p>Max. line pull force : 4500 kg.</p> <p>2 parts of line : 9000 kg.</p> <p>Sail area of the load max.: 1,0 m<sup>2</sup>/ ton.</p> <p>Operating temperature range from: -15°C till +40°C.</p>	<p>Outriggers positioned according to lifting chart</p> <p>Outrigger support base : 7,95 x 7,63 m.</p> <p>Operation allowed up to wind force 7 Bf (17 m/</p> <p>Outrigger support base : 7,95 x 5,72 m.</p> <p>Operation allowed up to wind force 7 Bf (17 m/</p> <p>Max. outrigger force: 520 kN.</p>
	m/min	kg	0 - 70 m/min																						
	20	9000																							
	30	4500																							
	50	2250																							
	75	0																							

**LIFTING CHART**

**Outrigger support base 7,95 m x 7,63 m**

up to wind force 7 on the Beaufort scale (17 m/sec)

<b>Jib horizontal</b>		Hook height 25,7 / 35,5 m (height under the jib 27,9 / 37,7 m)	
3,5	5	10	16,5
9000			
<b>Jib 30° luffed</b>	36,9	37,7	43,2
3,5	5	10	14,5
9000			9000
	8065	7030	6220
	5570	5035	4585
	4210	3885	3600
	3355	3135	2940
	2610	2500	

**LIFTING CHART**

**Outrigger support base 7,95 m x 5,72 m**

up to wind force 7 on the Beaufort scale (17 m/sec)

<b>Jib horizontal</b>		Hook height 25,7 / 35,5 m (height under the jib 27,9 / 37,7 m)	
3,5	5	10	15,5
9000			
<b>Jib 30° luffed</b>	37,7	40,6	42,7
3,5	5	10	13,6
9000			8070
			7480
			6515
			5760
			5155
			4660
			4440
			4060
			3735
			3450
			3205
			2990
			2800
			2625
			2475
			2335

# SPIERINGS

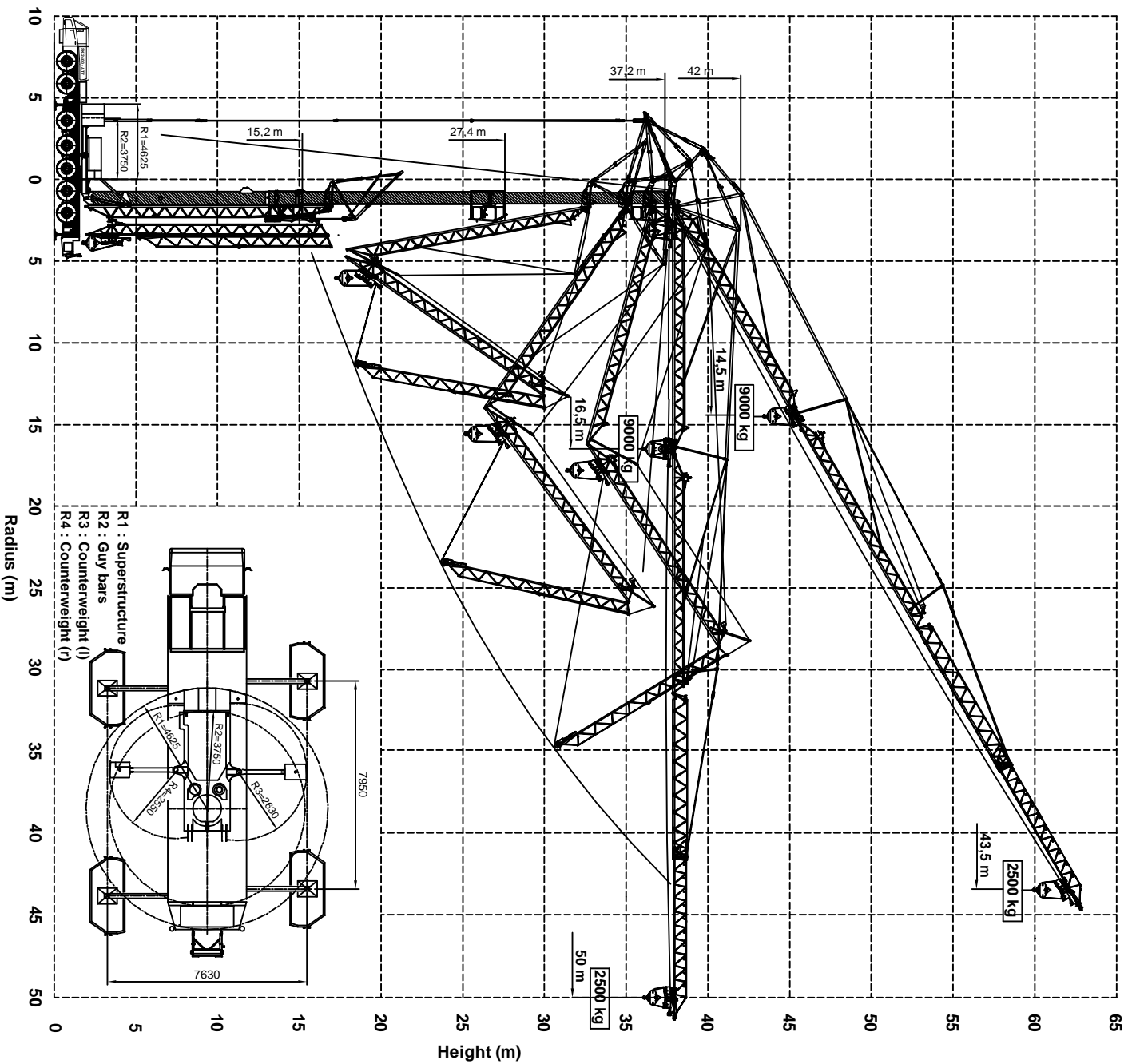
## HYDRAULIC FOLDING CRANE

### SK2400-AT7-50m

50m LM1

### Erection procedure of the crane

- Max. outrigger force : 520 kN
- Outrigger support pads : 750x600 mm
- Ground pressure : 1,16 N/mm<sup>2</sup>
- Jib can be unfolded through 360°
- Luffing the jib 30° can be controlled from the crane cab or remote control
- Outrigger support plates: 3000x1340 mm
- Surface : 3,585 m<sup>2</sup>
- Grounds pressure : 0,15 N/mm<sup>2</sup>



Specifications subject to change

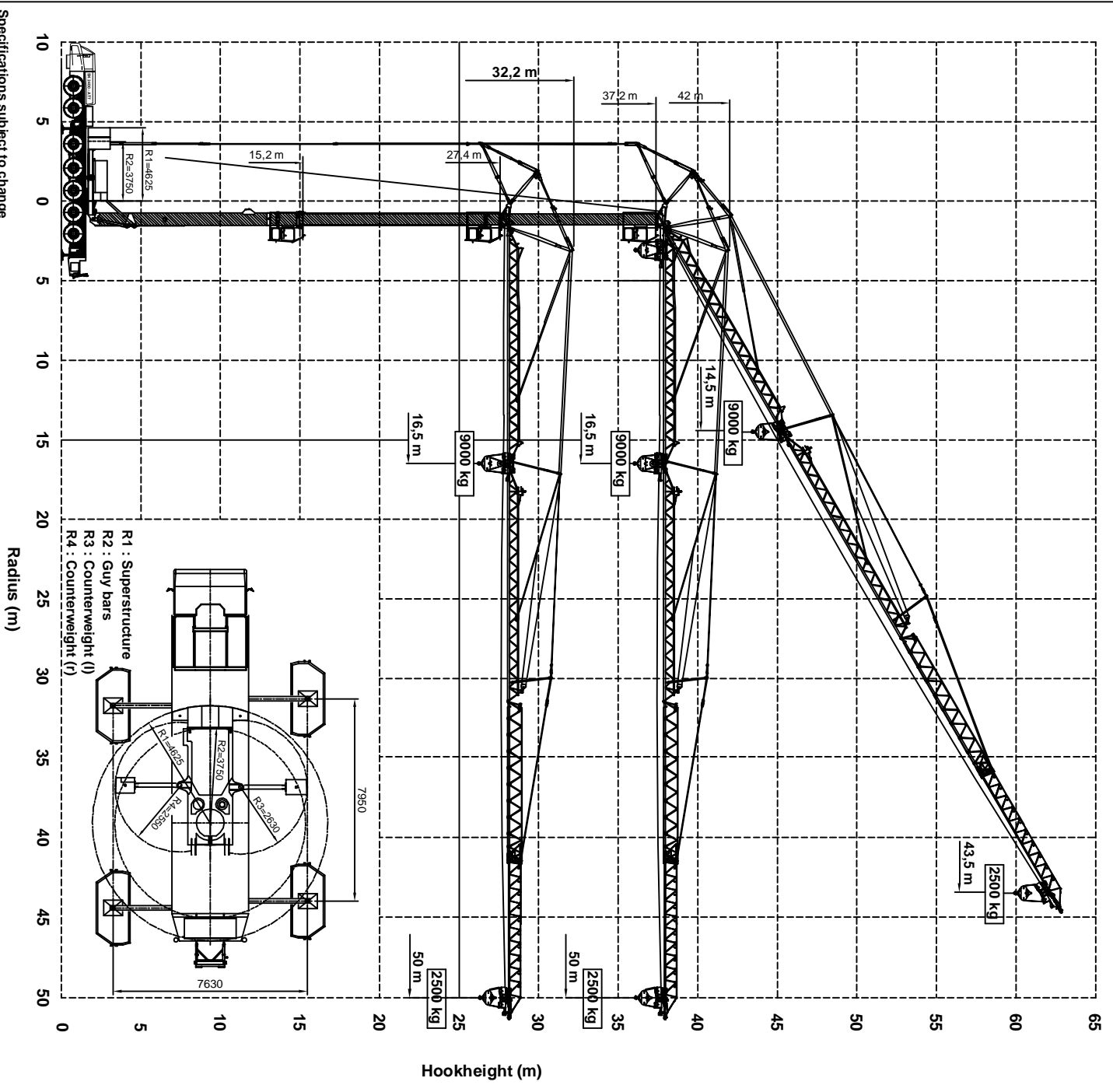


**SPIERINGS**  
**MOBILE CRANES**  
 Merwedestraat 15  
 5347 KZ Oss NL  
 Tel. +31 (0)412-628984  
 Fax +31 (0)412-645299  
 www.spieringscranes.com

141-00275103

**SPIERINGS**  
**HYDRAULIC FOLDING CRANE**  
**SK2400-AT7-50m**  
**50m LM1**  
**Hoisting Specifications**

**Outrigger support base: 7,95 m x 7,63 m**



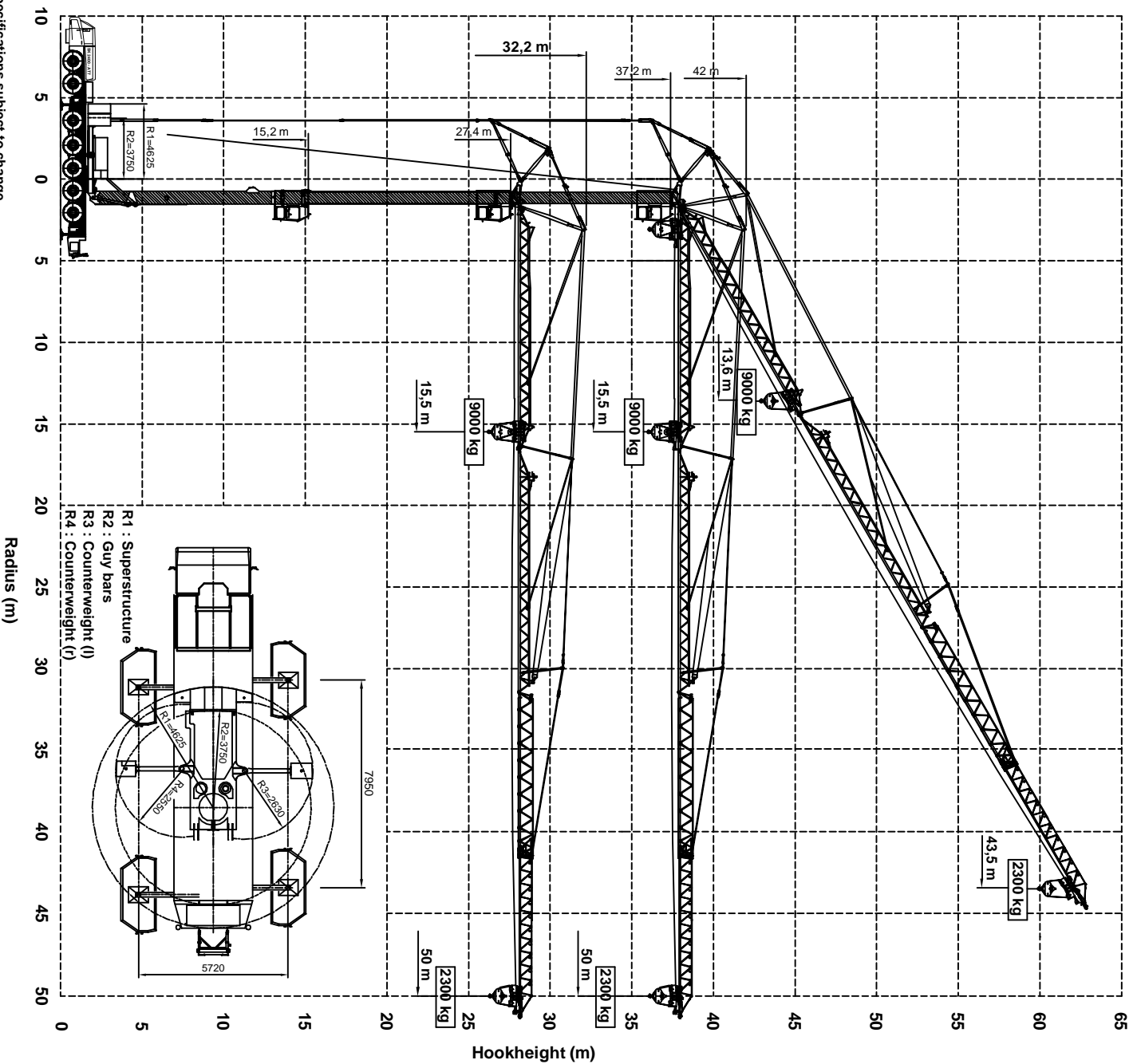
Specifications subject to change

# SPIERINGS HYDRAULIC FOLDING CRANE SK2400-AT7-50m

50m LM1

Hoisting Specifications

Outrigger support base: 7,95 m x 5,72 m

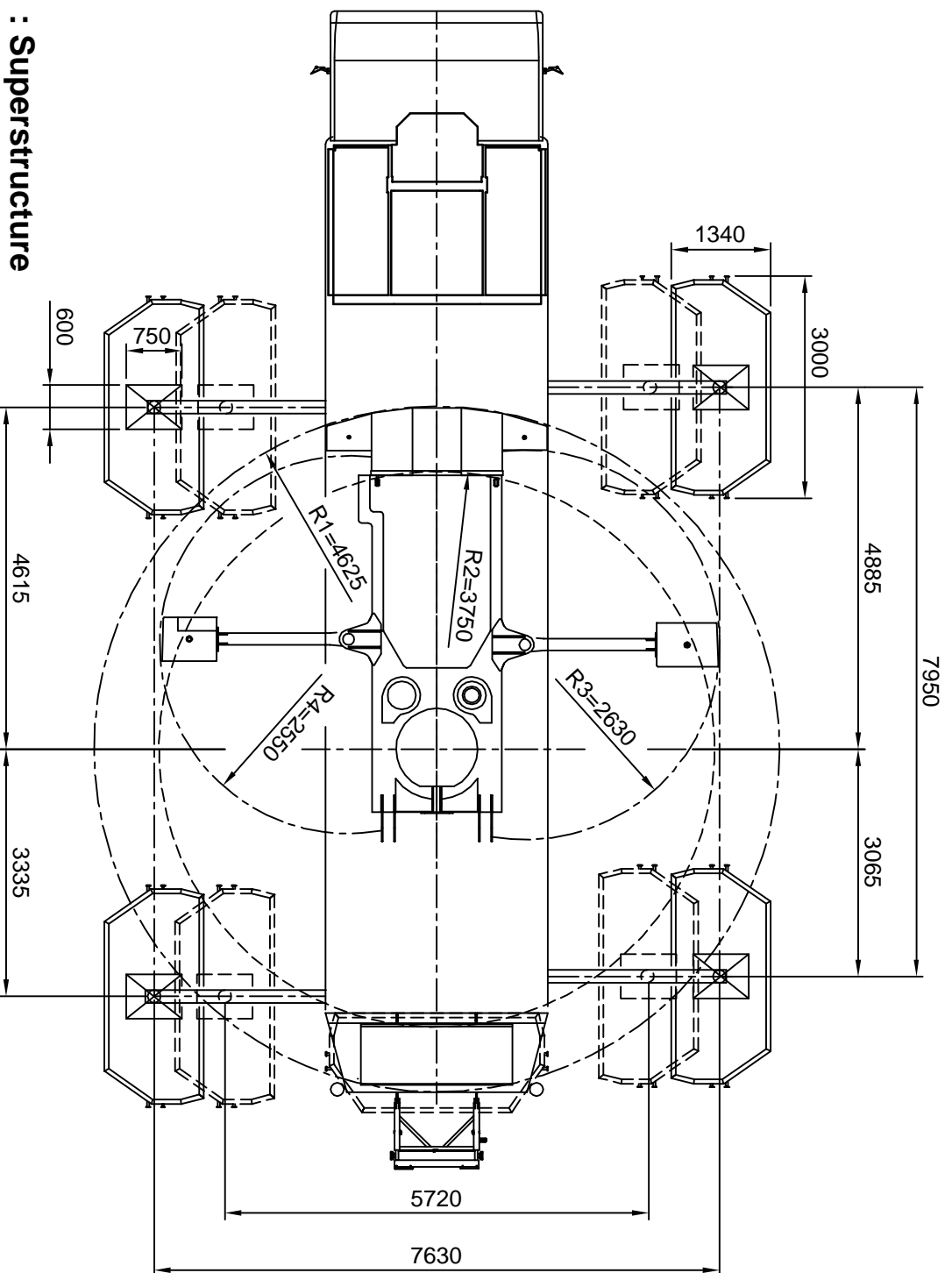


Merwedestraat 15  
5347 KZ Oss NL  
Tel. +31 (0)412-628984  
Fax +31 (0)412-645299  
www.spieringscranes.com

**SPIERINGS**  
**HYDRAULIC FOLDING CRANE**  
**SK2400-AT7-50m**  
**50m LM1**

**Overview outrigging**

Max. outrigger force	520 kN
Outrigger support pads	750x600 mm
Ground pressure	1,16 N/mm <sup>2</sup>
Outrigger support plates	3000x1340 mm
Surface	3,585 m <sup>2</sup>
Ground pressure	0,15 N/mm <sup>2</sup>



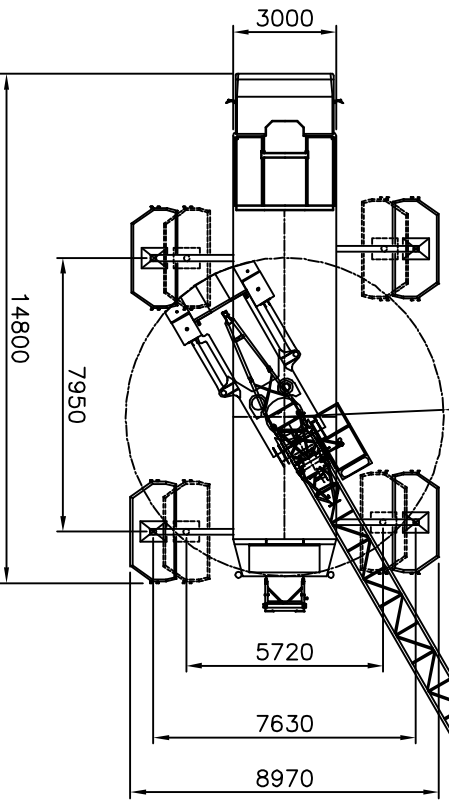
- R1 : Superstructure**
- R2 : Guy bars**
- R3 : Counterweight (I)**
- R4 : Counterweight (r)**




**SPIERINGS**  
**MOBILE CRANES**

Mervestrat 15  
 5347 KZ Oss NL  
 Tel: +31 (0)412-626964  
 Fax +31 (0)412-645299  
 www.spieringscranes.com

Turning circle superstructure R4625



R51750

STUK- NR.	AAN- TAL	BENAMING	MAT.	TEKENINGNR./OPMERKING	PROJECTIE:
GETEKEND:	JVH	14.1	00.275.111		
DATUM: 27-11-2014		BENAMING: Slewring SK2400-50m		ALGEMEEN ±0,5 ±0,5°	
SCHAAL:		HOOPDEEL: SK2400-AT7		FORMAAT: A4	
 <b>SPIERINGS</b> KRANEN b.v.					